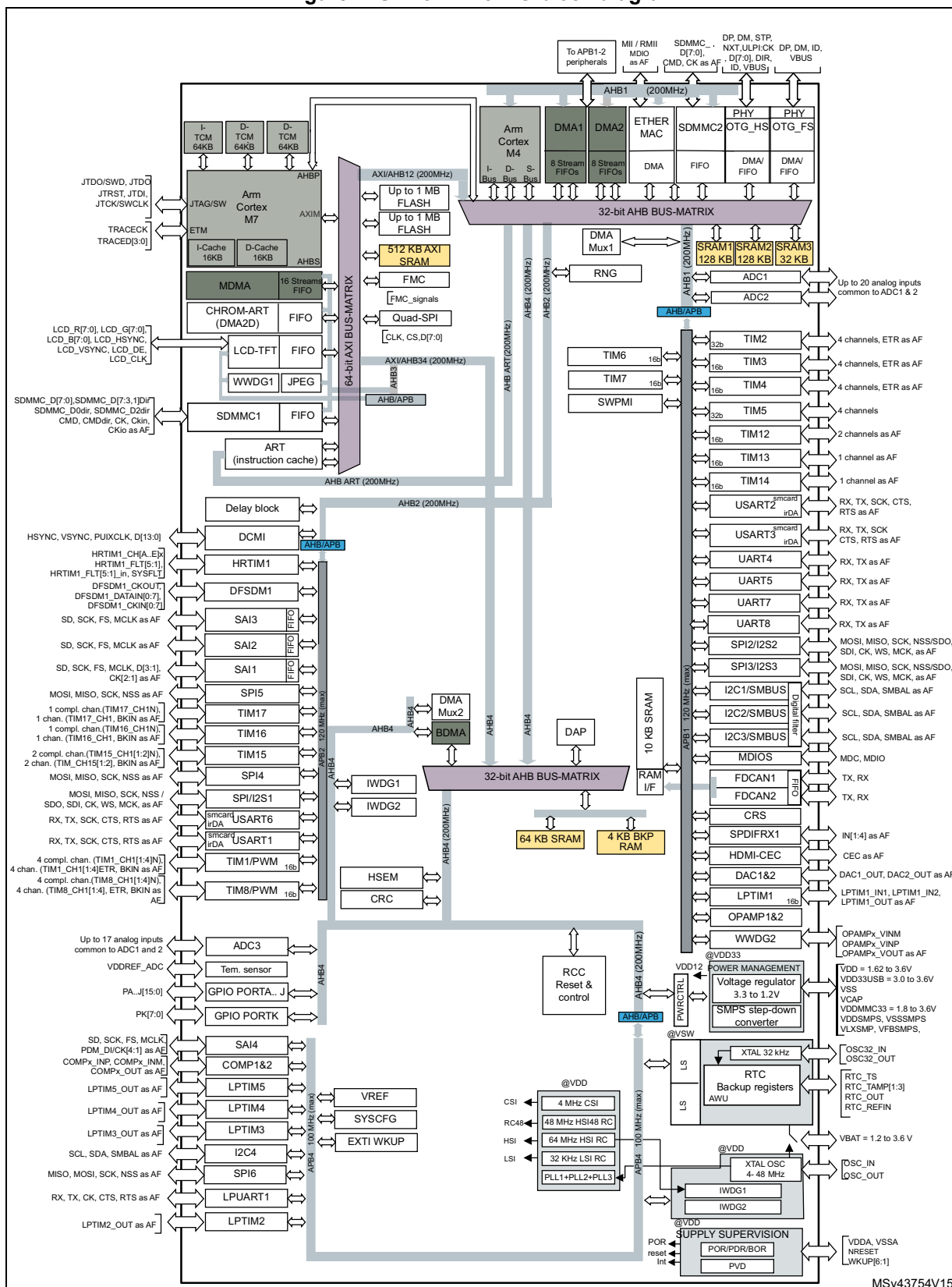


Figure 1. STM32H745xI/G block diagram



MSv43754V15